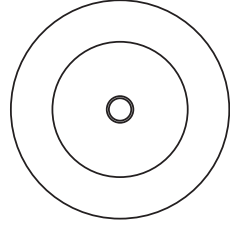
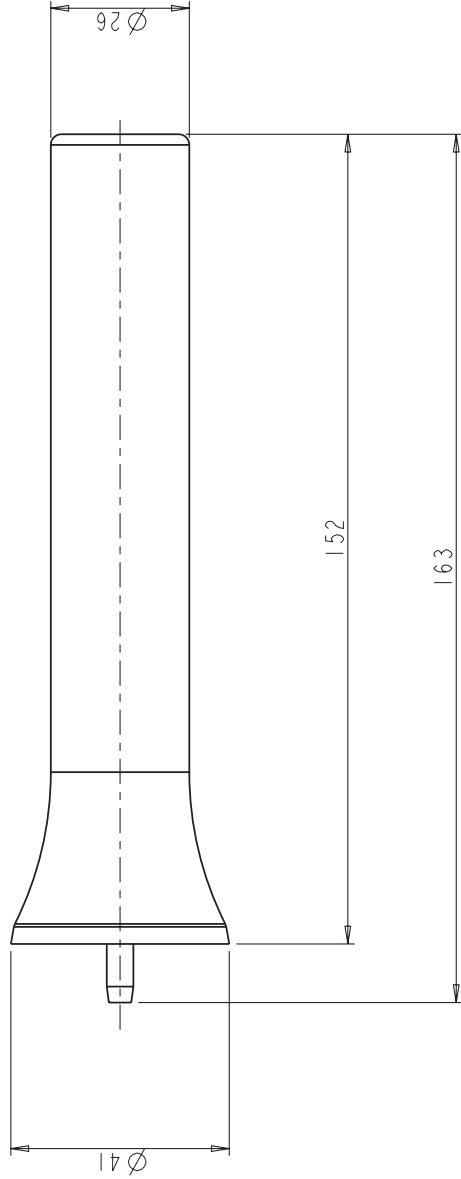


hardw@re
resources

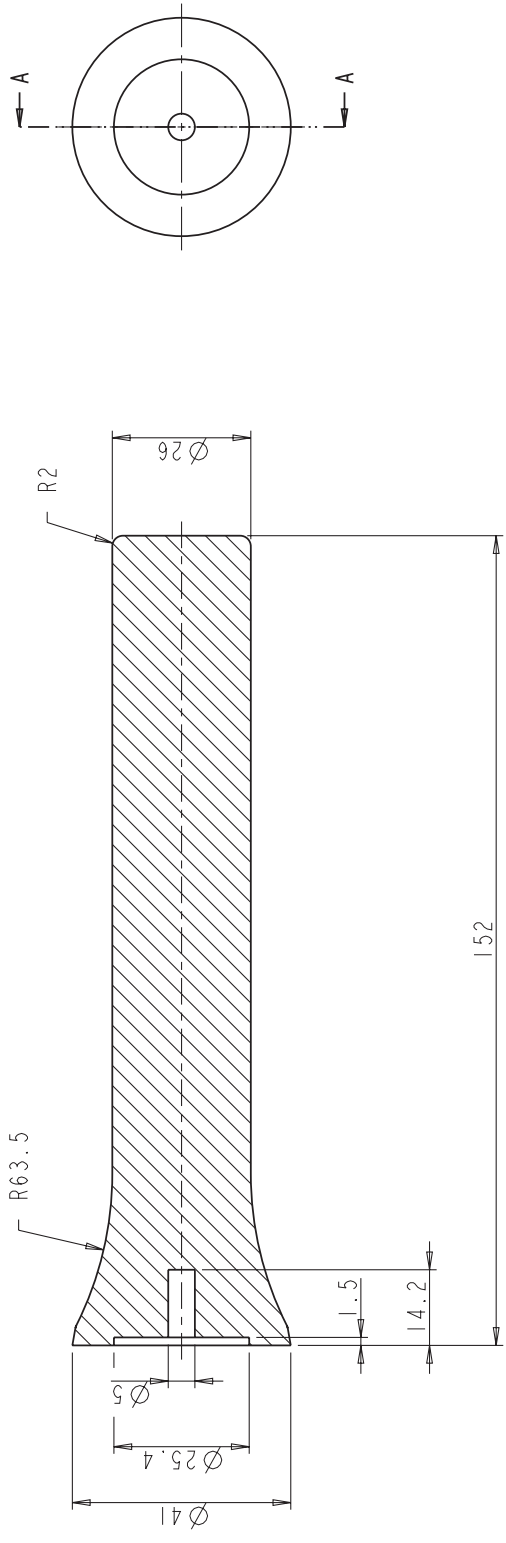
PROPRIETARY AND CONFIDENTIAL
THE INFORMATION CONTAINED
IN THIS DRAWING IS THE SOLE
PROPERTY OF HARDWARE
RESOURCES INC.
ANY REPRODUCTION IN PART OR
AS A WHOLE WITHOUT THE
WRITTEN PERMISSION OF
HARDWARE RESOURCES INC. IS
PROHIBITED.

ITEM:	PEG		MATERIAL:	
FINISH:			WEIGHT:	
	UNITS:	DRAWN BY:	PRODUCTION	9
	DATE:			
TOLERANCE UNLESS OTHERWISE SPECIFIED:		APPROVED BY:	DATE:	
A ±0.25				
X ±.005	SIZE:		DATE:	
X.X ±.005	A4			
X.XX ±0.05	SHEET:	RELEASE LEVEL:	REVISION:	
ANGULAR: ±0.5°	1	4		
DO NOT SCALE DRAWING				



PROPRIETARY AND CONFIDENTIAL
 THE INFORMATION CONTAINED
 IN THIS DRAWING IS THE SOLE
 PROPERTY OF HARDWARE
 RESOURCES INC.
 ANY REPRODUCTION IN PART OR
 AS A WHOLE WITHOUT THE
 WRITTEN PERMISSION OF
 HARDWARE RESOURCES INC. IS
 PROHIBITED.

ITEM:	ITEM:	MATERIAL:	PROJECTION	9
FINISH:	PEG	WEIGHT:	DATE:	
UNITS:	MM	DRAWN BY:	DATE:	
TOLENANCE UNLESS OTHERWISE SPECIFIED:	MM	APPROVED BY:	DATE:	
A ±0.25	SIZE:	RELEASE LEVEL:	REVISION:	
B ±0.125	A4	2 OF 4		
C ±0.075	SHEET:			
D ±0.05	DO NOT SCALE DRAWING			
E ±0.025				
F ±0.0125				
G ±0.0075				
H ±0.005				
I ±0.0025				
J ±0.00125				
K ±0.00075				
L ±0.0005				
M ±0.00025				
N ±0.000125				
O ±0.000075				
P ±0.00005				
Q ±0.000025				
R ±0.0000125				
S ±0.0000075				
T ±0.000005				
U ±0.0000025				
V ±0.00000125				
W ±0.00000075				
X ±0.0000005				
Y ±0.00000025				
Z ±0.000000125				

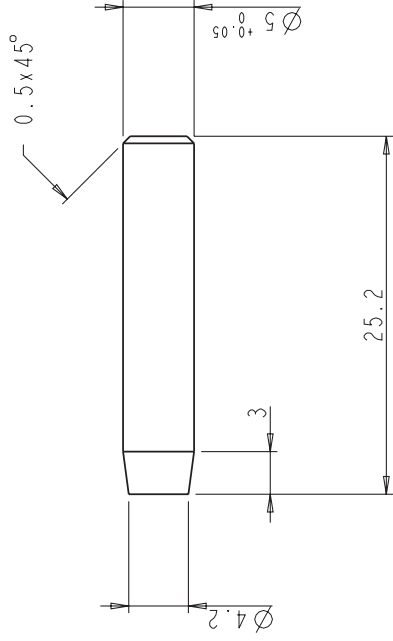


SECTION A-A
SCALE 3:4



PROPRIETARY AND CONFIDENTIAL
THE INFORMATION CONTAINED
IN THIS DRAWING IS THE SOLE
PROPERTY OF HARDWARE
RESOURCES INC.
ANY REPRODUCTION IN PART OR
AS A WHOLE WITHOUT THE
WRITTEN PERMISSION OF
HARDWARE RESOURCES INC. IS
PROHIBITED.

ITEM:	WOOD - PEG	MATERIAL:	Wooden Maple
FINISH:		WEIGHT:	
		PROJECTION:	9
TOLERANCE UNLESS OTHERWISE SPECIFIED:	UNITS:	DATE:	
A ±0.25	MM	DATE:	
B ±0.25	MM	APPROVED BY:	
C ±0.25	MM	APPROVED BY:	
D ±0.25	MM	APPROVED BY:	
ANGULAR: ±0.5°	SIZE:	RELEASE LEVEL:	
DO NOT SCALE DRAWING	A4	3 OF 4	



PROPRIETARY AND CONFIDENTIAL
 THE INFORMATION CONTAINED
 IN THIS DRAWING IS THE SOLE
 PROPERTY OF HARDWARE
 RESOURCES INC.
 ANY REPRODUCTION IN PART OR
 AS A WHOLE WITHOUT THE
 WRITTEN PERMISSION OF
 HARDWARE RESOURCES INC. IS
 PROHIBITED.

ITEM:	PIN	MATERIAL:	STEEL
FINISH:		WEIGHT:	
PROJECTION:		DATE:	
UNITS:	MM	DATE:	
TOLENANCE UNLESS OTHERWISE SPECIFIED:		APPROVED BY:	
1. ±0.20		RELEASE LEVEL:	
2. ±0.15			
3. ±0.10			
4. ±0.05			
ANGULAR: ±0.5°			
DO NOT SCALE DRAWING	4 OF 4		